

Acoustical Ceiling Installer Applications

- Single piece design
- Drill hole, hammer wedge into hole, pull down with claw hammer

TIE WIRE WEDGE



- Tapcon used with angle clip
- Simple to use, drill hole and drive Tapcon

TAPCON



Pg. 88

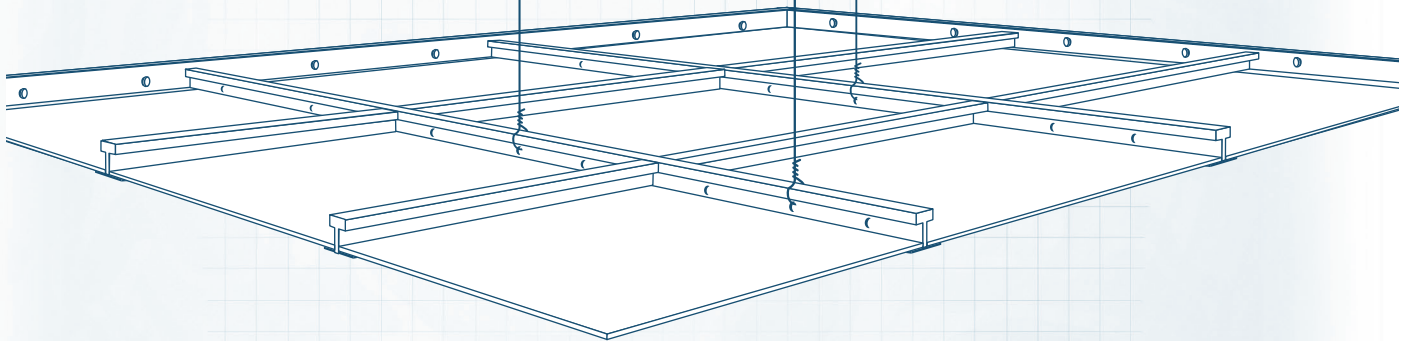
Pg. 85

DYNABOLT TIE WIRE



- 9/32nd hole
- Ideal for concrete brick, and block
- Carbon steel

Acoustical Ceiling



For seismic recognition, see ICC-ES evaluation reports.

For installation guidelines for your application, please contact our Technical Services Department at 1-800-848-5611.

ITW Red Head

Call our toll free number 800-848-5611 or visit our web site for the most current product and technical information at www.itwredhead.com

 **RED HEAD**